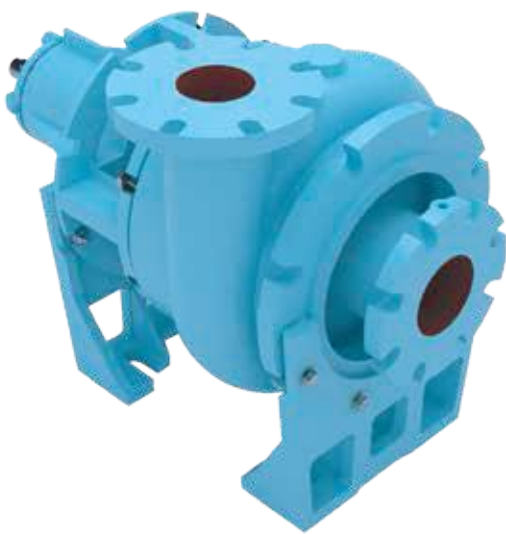


Non-Clog Type CSW Pump

SAMengineering

Customised Pump Solutions



SAM Engineering (Pty) Ltd.
24 Duncan Road, Lilianton,
Boksburg, South Africa
Tel: +27 (011) 823-4250
Fax: +27 (011) 823-4943
Email: pumps@sameng.co.za
www.sameng.co.za

CSW pumps are designed to handle wastewater and other non-corrosive liquids with soft solids in suspension. Typical applications are: municipal water and wastewater, industrial wastewater treatment and food processing.

CSW Type Pumps: Advantages of Design

STANDARD DESIGN: Maximum interchangeability of parts helps reduce spare parts inventory. All parts except the casing suction cover and impeller are completely interchangeable within a given frame group. Eighteen pump sizes are built on only five power frames.

STUFFING BOX DESIGN: A universal type stuffing box is provided which will accept either packing or mechanical seal.

WEAR PLATE: A replaceable suction cover wear plate is standard.

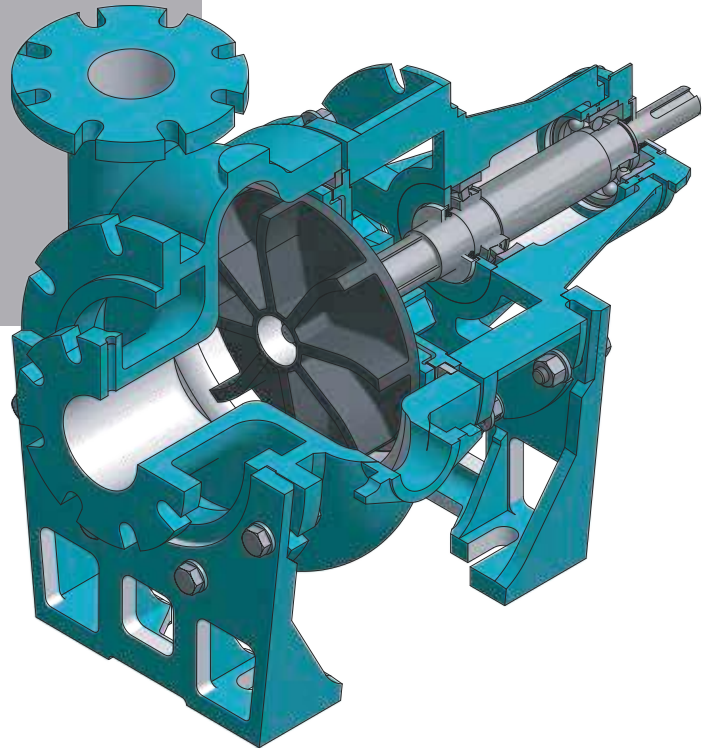
TAPERED SHAFT: The impeller end of the shaft and the impeller bore are designed with a taper for reliability and ease of maintenance.

IMPELLER NUT: A contoured stainless steel nut is provided to prevent material from hanging up. The nut is secured by a stainless steel set screw.

REAR PULL-OUT DESIGN: The complete rotating element can be removed from the pump without disturbing the suction or discharge piping. Fewer crafts are required to service the pump.

FLEXIBILITY: Either clockwise or counter-clockwise rotation can be supplied. Discharge nozzle can be arranged in any one of five positions for either rotation to suit the piping arrangement.

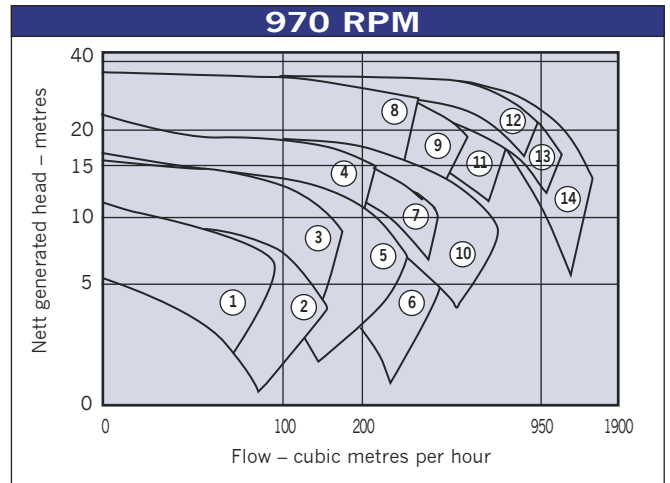
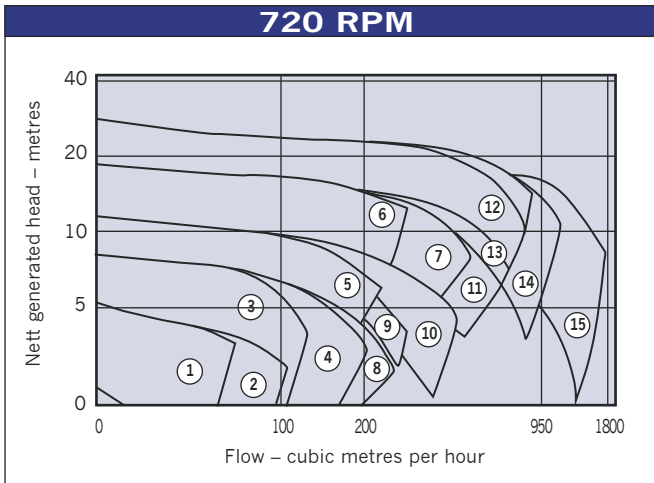
ENGINEERED FOR DEPENDABILITY: Two vane non-clog impellers with smooth water passages capable of passing soft solids without clogging.



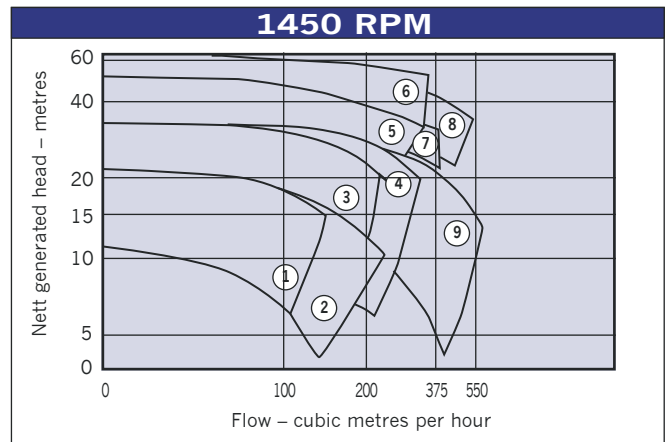
MAXIMUM SHAFT AND BEARING LIFE: Large diameter shafts minimise deflection and increase packing life.

- Bearings are selected in accordance with the Anti-Friction Bearing Manufacturers Association (AFBMA) to provide for maximum life expectancy.

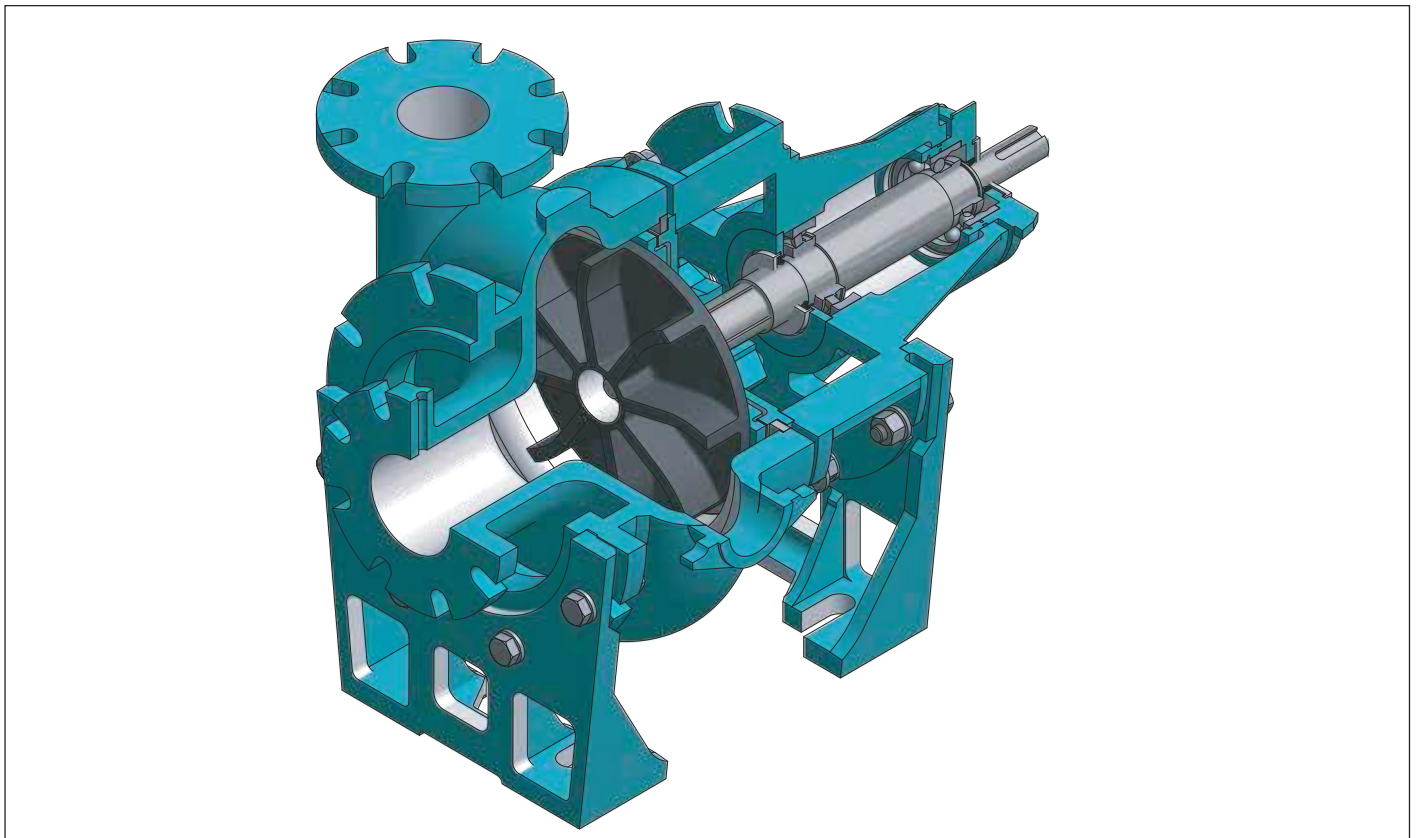
SIMPLE IMPELLER ADJUSTMENT: Axial clearance between the impeller and suction cover is controlled by adding or removing shims between the outboard bearing cartridge and the frame.



Key No	720 RPM	970 RPM	1450 RPM
1	4 x 4 x 10 SC	4 x 4 x 10 SC	4 x 4 x 10 SC
2	4 x 4 x 10 LC	4 x 4 x 10 LC	4 x 4 x 10 LC
3	4 x 4 x 12 LC	4 x 4 x 12 LC	4 x 4 x 12 LC
4	6 x 6 x 12 SC	6 x 4 x 14 LC/CV	6 x 6 x 12 SC
5	6 x 6 x 14LC	6 x 6 x 12SC	6 x 4 x 14LC/CV
6	5 x 5 x 17	6 x 6 x 12LC	5 x 5 x 17
7	6 x 6 x 17	6 x 6 x 14	6 x 6 x 14
8	6 x 6 x 12 LC	5 x 5 x 17	6 x 6 x 17
9	6 x 6 x 14	6 x 6 x 17	6 x 6 x 12LC
10	8 x 8 x 14	8 x 8 x 14	-
11	8 x 8 x 17 SC/LC	8 x 8 x 17 SC/LC	-
12	10 x 10 x 21SC	8 x 8 x 21	-
13	8 x 8 x 21	10 x 10 x 21SC	-
14	10 x 10 x 21LC	10 x 10 x 21LC	-
15	12 x 12 x 21	-	-



Type CSW





SAMengineering

Customised Pump Solutions