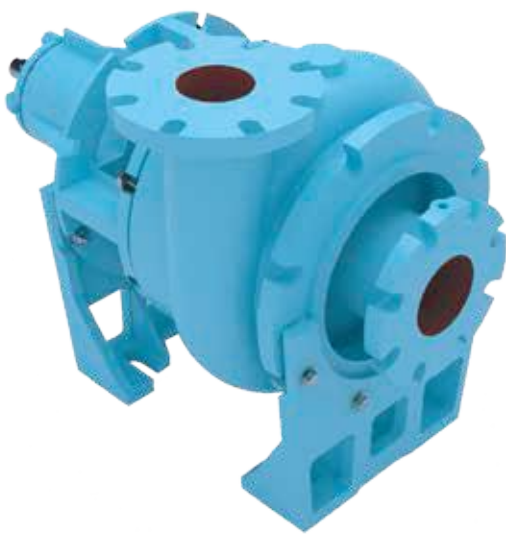




Wastewater Pumps Type CSR

SAMengineering

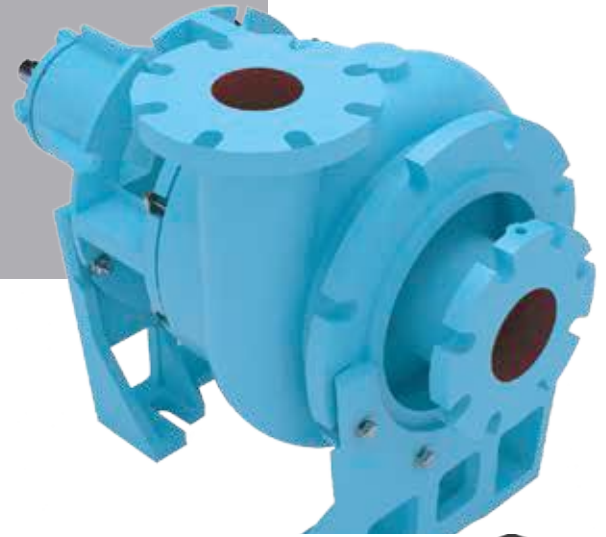
Customised Pump Solutions



SAM Engineering (Pty) Ltd.
24 Duncan Road, Lilianton,
Boksburg, South Africa
Tel: +27 (011) 823-4250
Fax: +27 (011) 823-4943
Email: pumps@sameng.co.za
www.sameng.co.za

CSR Pumps

SAMCO Type CSR pumps are designed to handle wastewater, activated and some other sludge, and non-corrosive liquids with solids in suspension. Typical applications are municipal wastewater, industrial wastewater, food processing slurries, fruit and vegetable waste, and other products.



CSR Type Pumps: Advantages of Design

CASING: The wall cross-sections are extra heavy and the design allows for both clockwise and counter-clockwise rotation with several discharge positions for each rotation.

The pump's fluid passageway is smooth and the pumped liquid can flow through without obstruction. A hand hole is located in the casing.

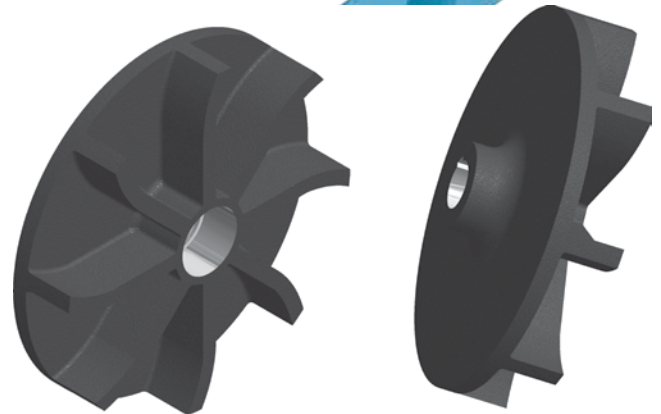
IMPELLER: The impeller is fully recessed, ensuring it's out of the path of flow. The uniquely-shaped radial vanes allow liquid with solids to pass up to 140 mm. Both clockwise and counter-clockwise rotations are available. The impeller is held in place with a contoured nut to prevent material from hanging up. The nut is locked in place.

REAR PULL-OUT DESIGN: The complete rotating element can be removed from the casing without disturbing the suction or discharge piping. Fewer crafts are required to service the pump.

SHAFT: Large diameter shafts minimise deflection and increase packing life.

SHAFT SLEEVE: CF8M ceramic-coated stainless steel sleeves provide a good packing surface.

STUFFING BOX: The CSR type pump's stuffing box is furnished with five rings of non-asbestos packing and a Teflon lantern ring. The packing gland is split in two halves to facilitate packing replacement and the gland bolts are made of brass.

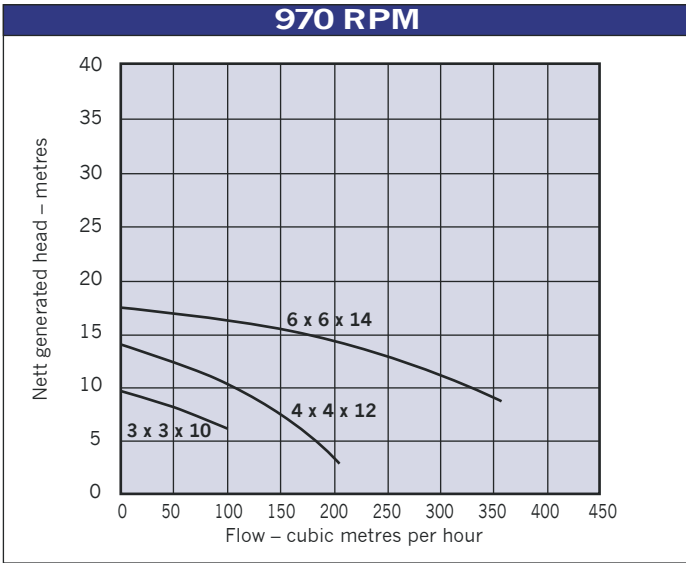


REPLACEMENT REAR WEAR PLATE: All pumps come standard with a replaceable stuffing box wear plate of 28% chrome.

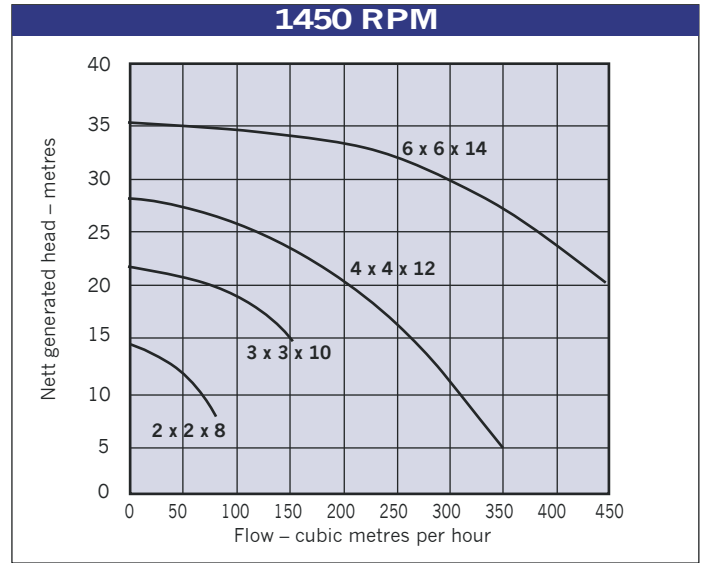
MATERIALS OF CONSTRUCTION: All cast iron construction is standard, though the wet-end parts are available in 28% chrome with a wear resistant stainless steel impeller.

SPACE SAVING: Vertical pumps have sturdy mild steel support pedestals, save space, require less floor area and a less elaborate foundation. Where units are installed with intermediate shafting, necessary universal joints and steady bearings are provided.

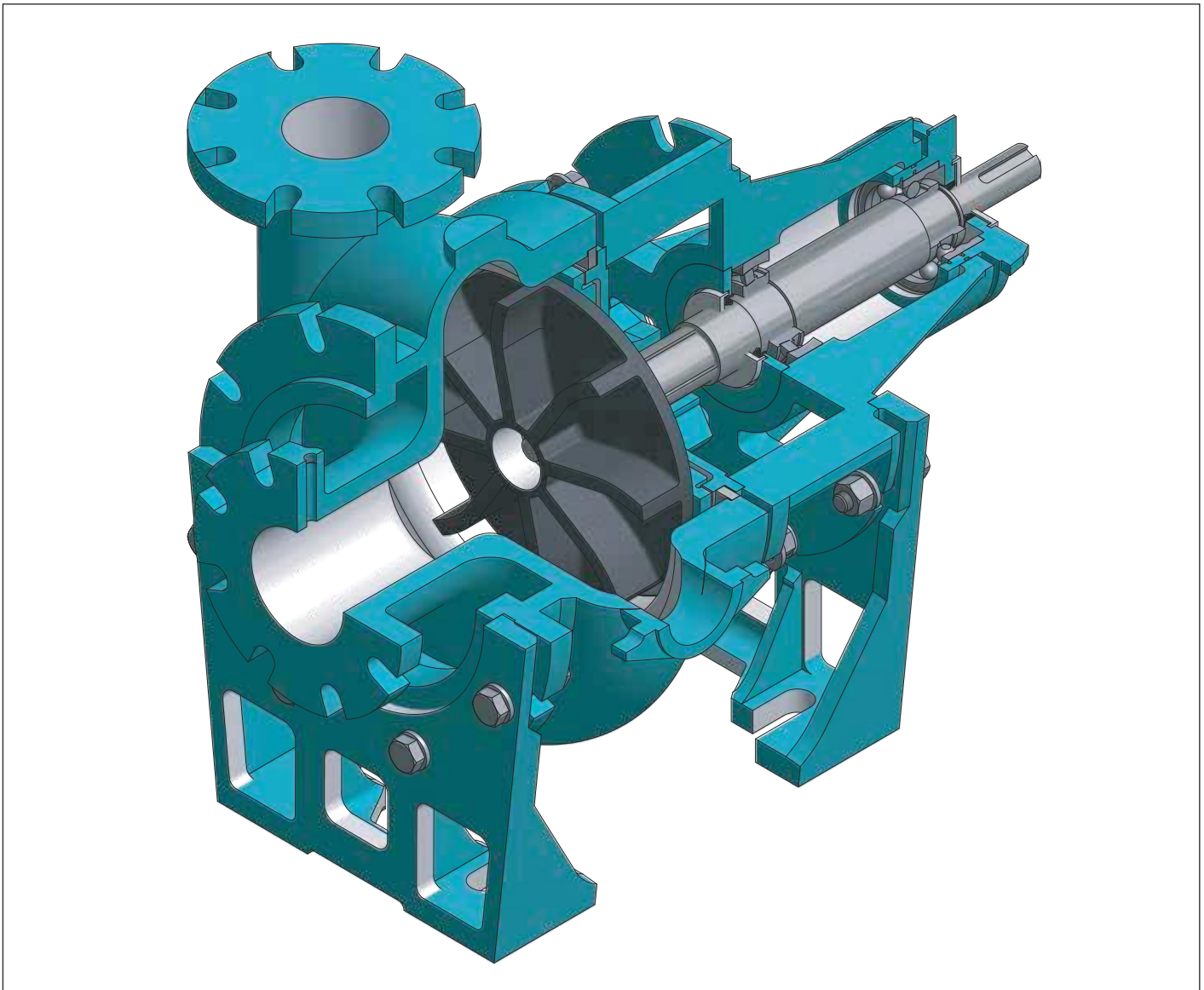
970 RPM



1450 RPM



Type CSR – Bareshaft Pump





SAMengineering

Customised Pump Solutions